


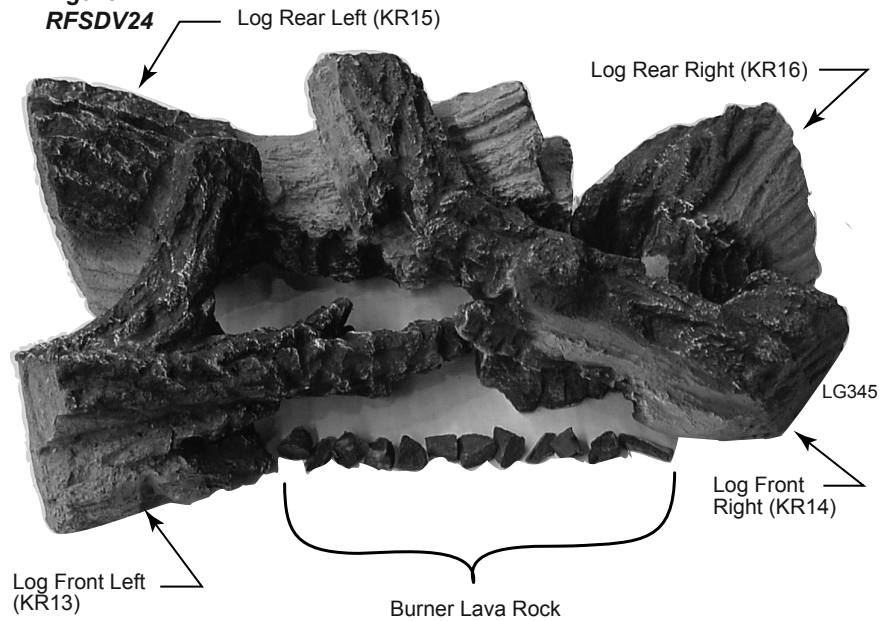
For Model RFSDV34 (Refer to Fig. 28)

1. Remove window frame assembly. (Refer to Window Frame Assembly Removal section)
2. Remove logs from packaging.

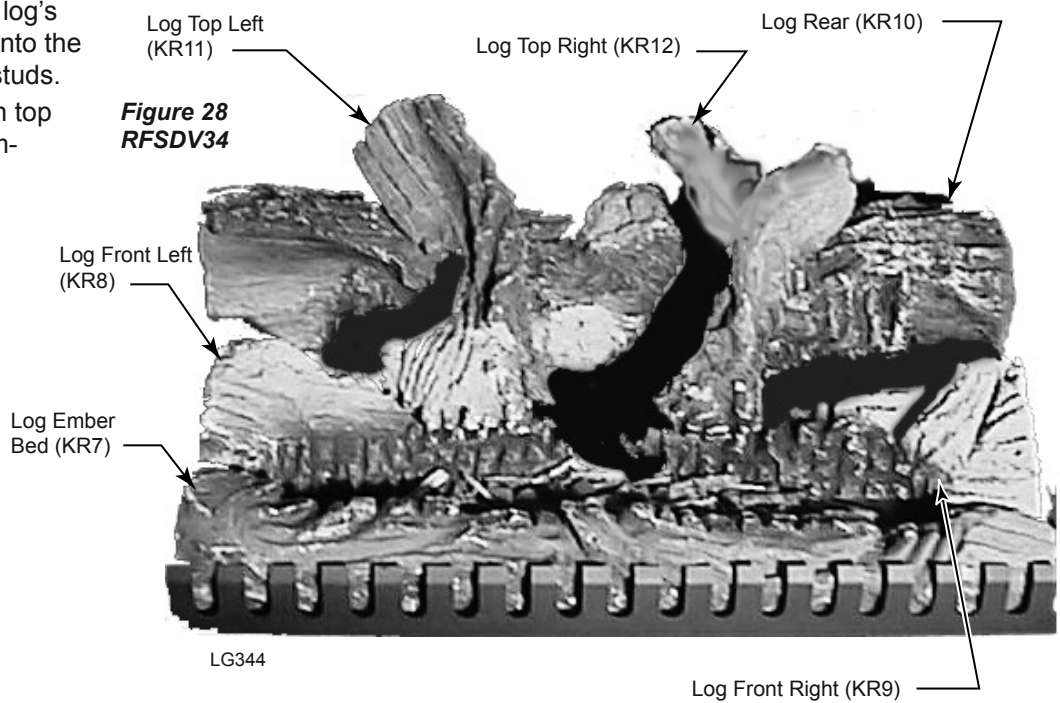
 **As with all plastic items - these logs and their packaging are not toys and should be kept away from children and infants.**

3. Place rear log (KR10) on rear bracket (ensure log is seated properly, leveled and centered to the unit) so it will not move from side to side and it is firmly positioned on the bracket.
4. Slip front ember log (KR7) down behind the front deflector.
5. Place front left log (KR8*) on top of burner, left side. Using the bottom holes in the log, locate it into the left bracket log locator studs.
6. Place front right log (KR9) on top of burner, right side. Use log's bottom holes to locate it into the right bracket log locator studs.
7. Place burner lava rock on top of burner between the ember log and the two front logs.
8. Place top left log (KR11) onto locator notches. Ensure the log is secure.
9. Place top right log (KR12) onto locator notches. Ensure the log is secure.

**Figure 27
RFSDV24**



**Figure 28
RFSDV34**



Flame & Temperature Adjustment

SRN/SRP Models

For units equipped with 'HI/LO' valves the flame adjustment is accomplished by rotating the 'HI/LO' adjustment knob located near the center of the gas control valve. (Fig. 29)

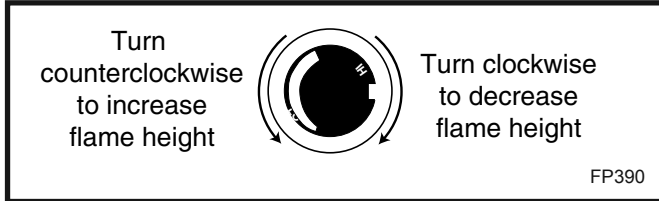


Fig. 29 Flame adjustment knob.

TSRN/TSRP Models

For units equipped with the RCSITEA control, all adjustments are performed with the use of a remote transmitter. Refer to instructions packaged with the transmitter or Page 22 in this manual for operating instructions.

Flame Characteristics

It is important to periodically perform a visual check of the pilot and burner flames. Compare them to the pictorials illustrated below (Fig. 30-31).

If the flame patterns appear abnormal contact a qualified service provider for service and adjustment.

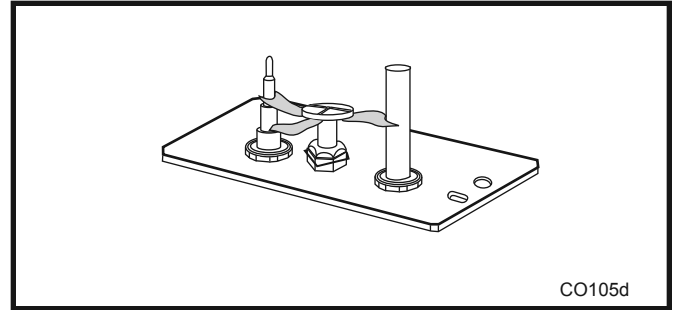


Fig. 30 Correct pilot flame appearance.

RFSDV24

Figure 31



RFSDV3

